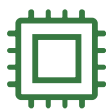


Features

- Pure sine wave solar inverter
- High PV input voltage range
- Built-in MPPT solar controller
- Optimize battery performance, extend lifecycle
- Inverter running without battery
- WiFi/GPRS remote monitoring
- RS485 communication for BMS(Optional)
- Self consumption and Feed-in to the grid(Optional), Detachable LCD(Optional)



Built-in 100A
Solar Charger



Wide MPPT
Range 40-500V



Workable with
Generator



Complete CE
Certificate

BMS

Support Lithium/
Lead-acid Battery



Lithium Battery
Activation

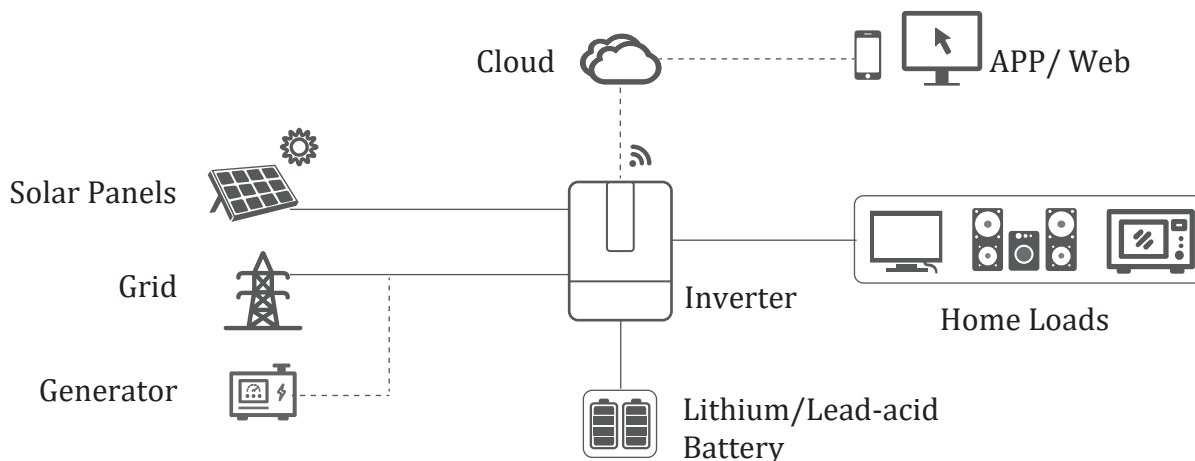


Detachable
Dust Cover



WiFi
Monitoring

System Diagram





Specifications

Model	HVM 3.6K PLUS
AC Input	
Rated Input Voltage (VAC)	208 / 220 / 230 / 240; L+N+PE
Voltage Range (VAC)	90~280±3 (normal mode); 170~280±3 (UPS mode)
Frequency (Hz)	50 / 60 (Auto Adaptive)
AC Output	
Rated Capacity (kW)	3.6
Surge Power (kVA)	5.7
Voltage (VAC)	208 / 220 / 230 / 240
Power Factor (PF)	1
Frequency	50 / 60Hz±0.1%
Switch Time (ms)	10 (normal mode) / 10 (UPS mode)
Wave Form	Pure Sine Wave
Overload Capacity (Battery Mode)	60s@102%~110% load; 10s@110%~130% load; 3s@130%~150% load; 0.2s@>150% load
Max. Efficiency (Battery Mode)	92.7%@24VDC
Parallel Quantity	NA
Charger (PV / AC)	
Solar Charger Type	MPPT
Max PV input Current /Input Power	18A / 5000W
MPPT Range@Operating Voltage (VDC)	40~450
Max PV Open Circuit Voltage (VDC)	500
Max PV Charge Current (A)	100
Max AC Charge Current (A)	100
Max. Charge Current (PV + AC)(A)	100
Battery	
Rated Voltage (VDC)	24
Floating Charge Voltage (VDC)	27
Overcharge Protection (VDC)	30.5
Battery Type	Lithium and Lead-acid
Interface	
HMI	LCD
Interface	RS485 / RS232 / USB / DryContact
Monitoring	WiFi (Optional)
General Data	
Ingress Protection	IP21
Operating Temperature	-10°C~50°C
Relative Humidity	5%~95%(Non-condensing)
Storage Temperature	-15 °C~60°C
Net Weight (kg)	6.4
Dimensions (W*H*D)	490*306*115mm(without bracket)
Max.Operating Altitude	4000m (Derating above 1000m)